

LED

# SEN LED Drive, Your Smart Choice

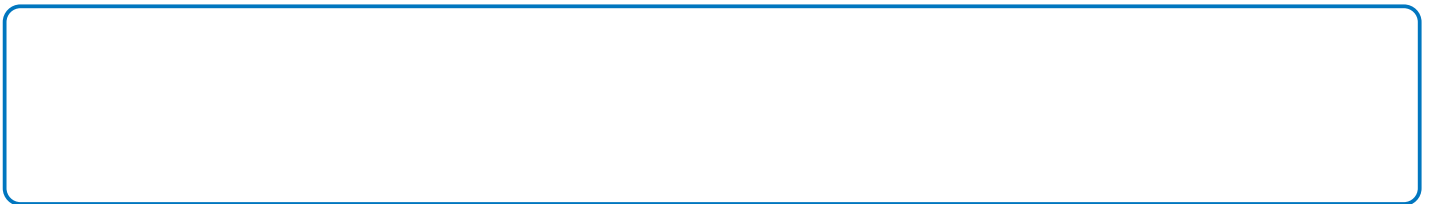
SS-200CP LED

: SS-200CP-54\*

: 200W LED

: V08

: 2023-02-01

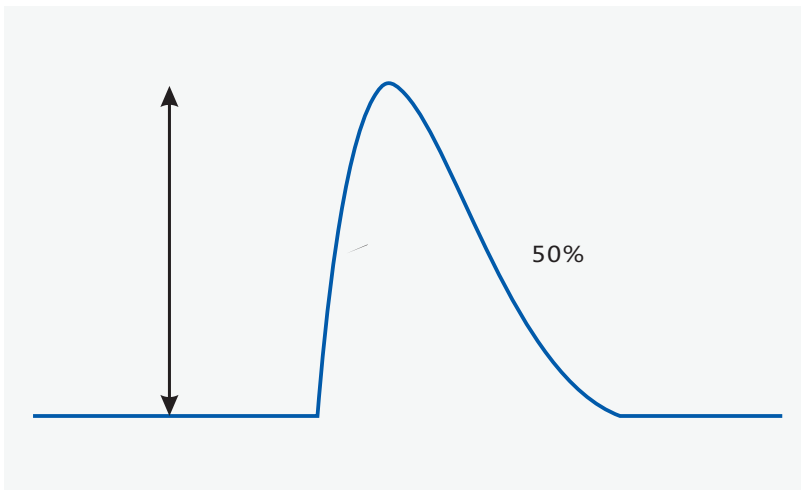


	120Vac		277Vac	
	108Vac		305Vac	
	47Hz	50/60Hz	63Hz	
			2.4A	108Vac
			230W	108Vac
(120Vac)			50A	
(220Vac)			95A	冷机启动
(277Vac)			125A	冷机启动
			10W	220Vac/50Hz, 空载
	0.95	0.98		220Vac/50Hz, 满载
	0.90			120-277Vac/50Hz, 70-100%载
		7%	13%	220Vac/50Hz, 满载
			17%	120-277Vac/50Hz, 70-100%载

	28V		54V	28-36V
	36V		54V	$P_o = V_o \cdot I_o = 200W$
	3.7A		5.6A	5.6A 36V 3.7A 54V
AOC	2.8A		5.6A	
			60V	
@ 120Vac	90.0%	91.5%		43V/4.65A
@ 220Vac	91.0%	93.0%		43V/4.65A
@ 277Vac	91.0%	93.0%		43V/4.65A
	-5%		+5%	
PK-AV		5%	10%	
			10%	
			0.5S	120Vac
			0.5S	220Vac
	-2%		+2%	
	-2%		+2%	
	-0.03%/		+0.03%/	0 85
	90	100	110	> Tc Typ., < Tc Min.,
			10W	







		T <sub>r</sub> @ 10%	T <sub>f</sub> @ 50%
120Vac	50A	600μs	
220Vac	95A		800μs
240Vac	125A	500μs	

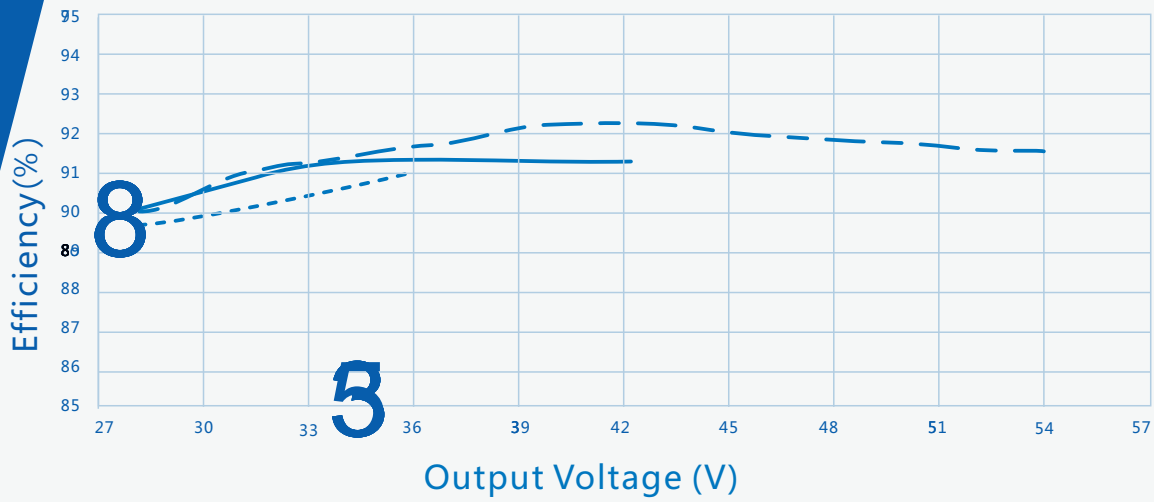
SS

LF

②

Output

(Vin=120Vac)



5

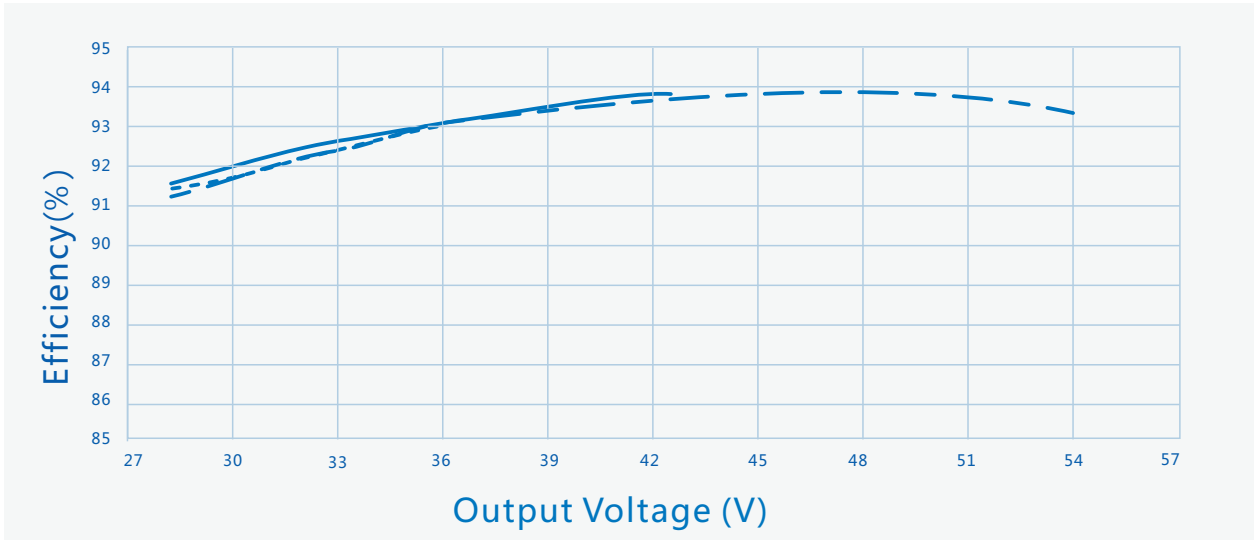
----- Io=5600mA      ————— Io=4650mA      - - - Io=3700mA

tp



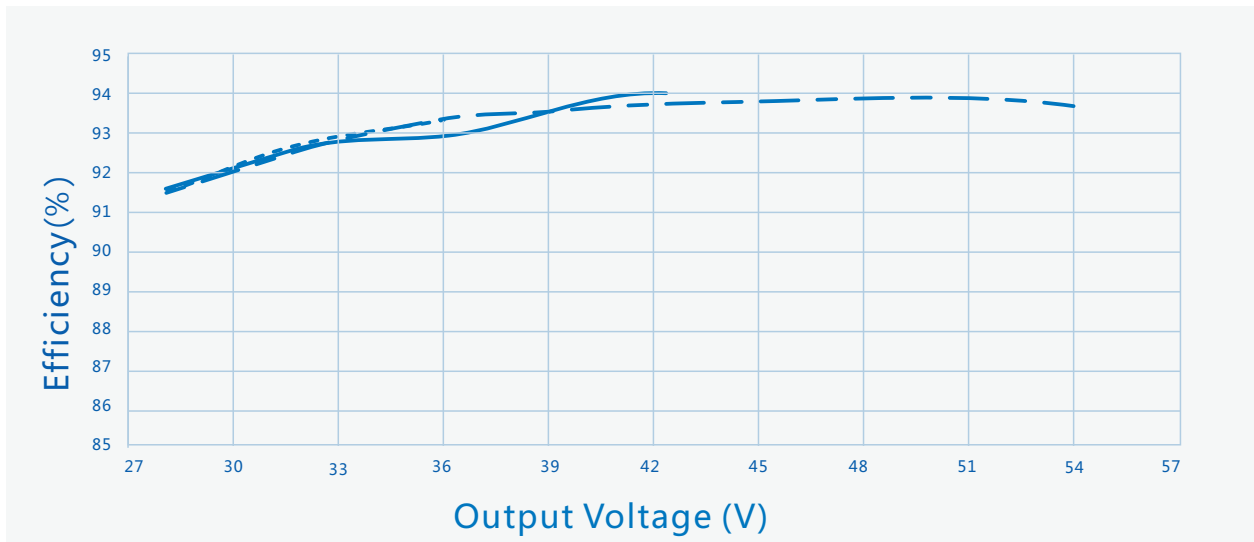


Vs. (Vin=220Vac)



----- Io=5600mA      ————— Io=4650mA      - - - - Io=3700mA

Vs. (Vin=277Vac)

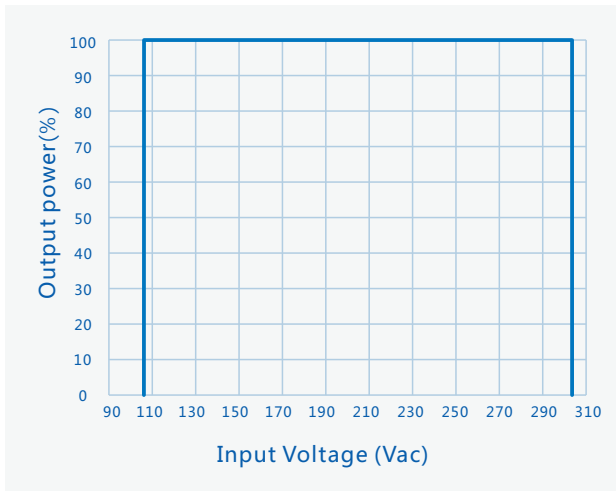


----- Io=5600mA      ————— Io=4650mA      - - - - Io=3700mA

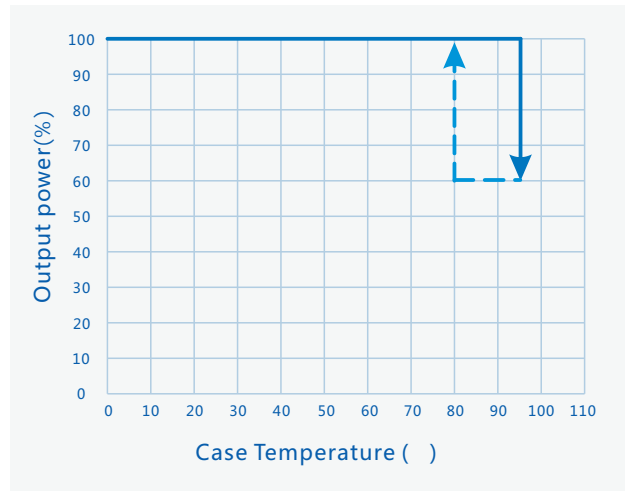




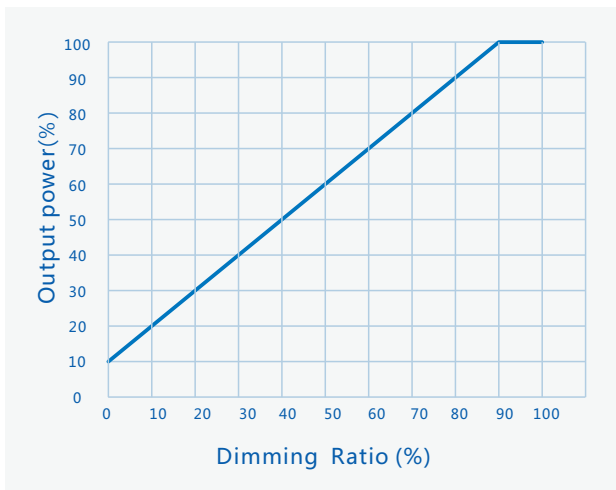
Vs. ( 60 )



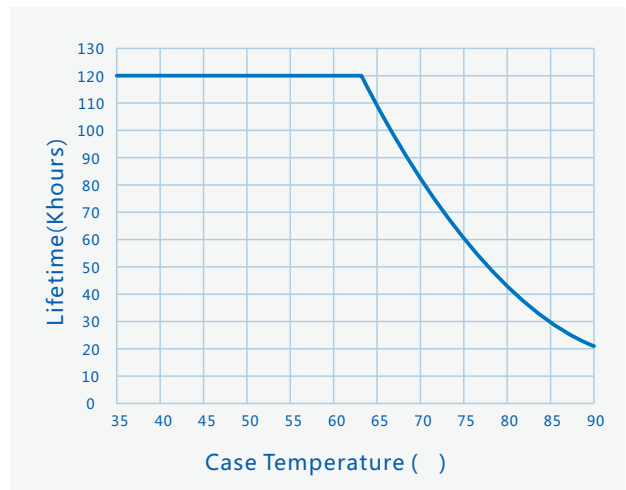
Vs.



Vs.

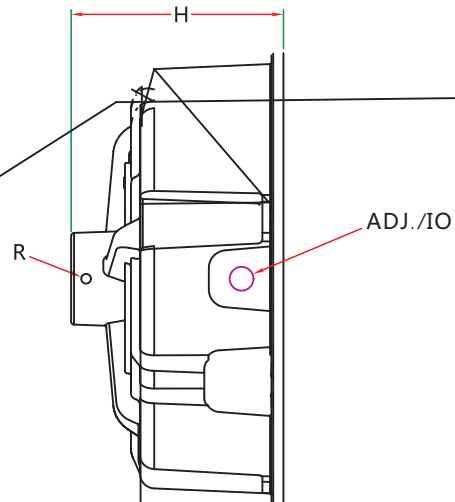
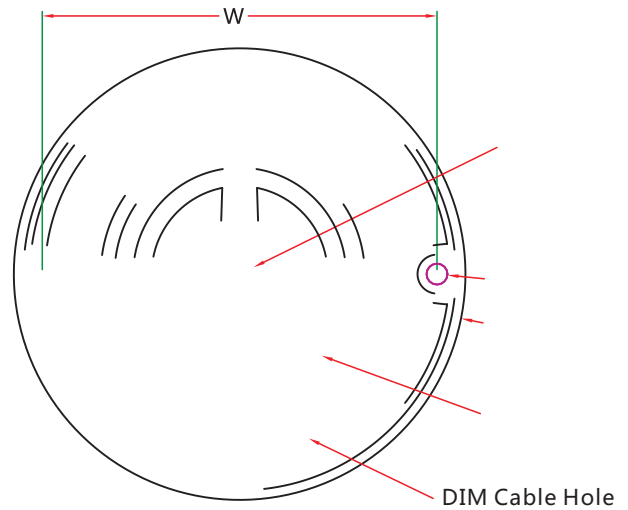


Vs.



<b>AC</b>	(	<b>300±10mm</b> )			
SJTW	3*18AWG	:7.8mm	:L	:N	:⊕
H05RN-F	3*1.0mm <sup>2</sup>	7.3mm,	:L	:N	:⊕
SJOW	3*17AWG,	:8.0mm	:L,	:N,	:⊕
IS:9968	3*1.0mm <sup>2</sup> ,	:7.4mm	:L,	:N,	:⊕
<b>DC</b>	(	<b>300±10mm</b> )			
SJTW	2*18AWG	:7.3mm	:V+	:V-	
/	H05RN-F	2*1.0mm <sup>2</sup>	:7.0mm	:V+	:V-
SJOW	2*17AWG,	:7.7mm	:V+,	:V-	
<b>DIM</b>	(	<b>220±10mm</b> )			
/	/	UL 2733	2*22AWG	5.7mm	DIM+
					:DIM-

		mm (In.)
PG	A	M12*1.5
	4-B	7.0(0.28)
	D	151.0(5.95)
	H	71.5(2.82)
	Z	M12*1.75( 20mm) G1/2( 17mm)
	R	M4*0.7
	W	132.0(5.2)
	W1	132.0(5.2)
Tc	X	35(1.38)
Tc	Y	15(0.59)





1

2

- × × = 495 × 385 × 1

- @ 2+ 2 .5kg

通 运输，运输中应遮蓬、防晒、文明装卸。

符合GB 3873 - 83的规定。

超过1年的产品要重新检验，合格后方可使用。



86 755 29358800



V00		2018/10/18	
V01		2019/04/25	
V02		2019/06/17	
V03		2019/09/09	
V04		2020/03/05	
V05		2020/05/09	
V06		2021/07/02	
V07		2021/09/02	
V08		2023/02/01	

